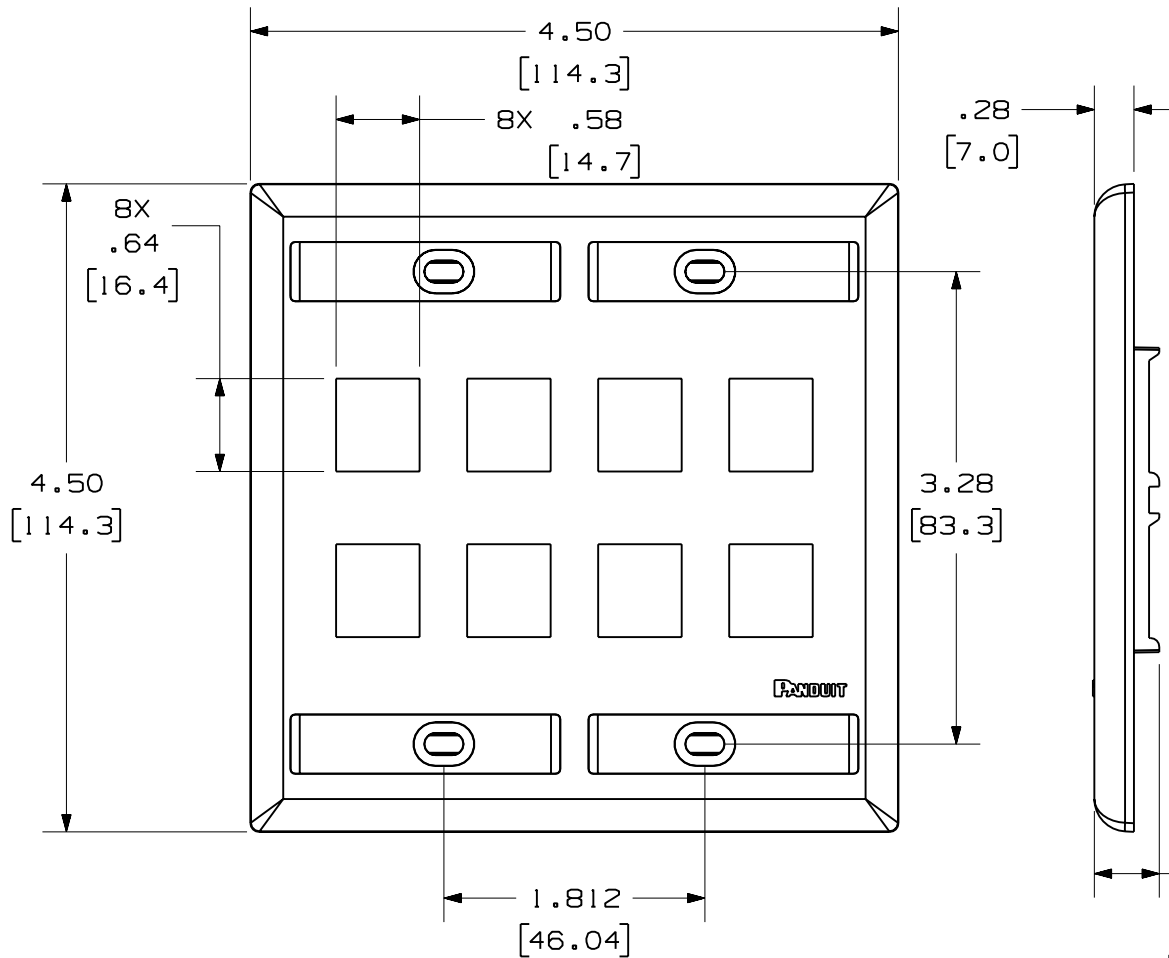


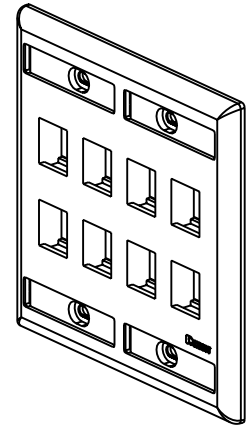
THIS COPY IS PROVIDED ON A RESTRICTED BASIS AND IS NOT TO BE USED IN ANY WAY DETRIMENTAL TO THE INTERESTS OF PANDUIT CORP.



PANDUIT P/N	WEIGHT
NK8F**	.96 LB/10 PCS (436.6 g/10 PCS)


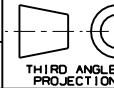
NOTES:

1. SEE CURRENT CATALOG FOR ADDITIONAL PART NUMBER SUFFIXES TO INDICATE COLOR AND OR PACKAGE QUANTITY.
2. SEE CATALOG FOR COMPLETE LIST OF PARTS APPLICABLE FOR USE WITH THIS PART.
3. DIMENSIONS IN PARENTHESES ARE IN METRIC.
4. PART INCLUDES:
1- FACEPLATE
4- LABEL
4- LABEL COVER
4- MOUNTING SCREW (#6-32X 1.00")



MODEL FILENAME	M02799BA_NK8F_00.PRT	SIZE	A
DRAWING FILENAME	M02799BA_DC02_00A.PRT		

NETKEY 8 POSITION DOUBLE GANG
FACEPLATE WITH LABELS
CUSTOMER DRAWING

 PANDUIT ™ CORP. TINLEY PARK, ILL 60477	I.I. NUMBER	N/A
	PRODUCT SPEC	N/A
	WORK INSTRUCTION	N/A
	SCALE	NONE
 THIRD ANGLE PROJECTION	ALL DIMENSIONS ARE GIVEN IN INCHES, UNLESS OTHERWISE SPECIFIED. DIMENSIONAL TOLERANCES ARE: (.X) ± .031(.8) ANGLES ±	PART NO.
DRAWN BY JsP	REVIEW DRAWING NUMBERS	NK8F**
DATE 7-2-07	MATERIAL: ABS	DRAWING NO. 02799-02
CHK'D EB		

REV	DATE	BY	CHK	DESCRIPTION	ECN	R	CUST	SUP	OTH
R	7-2-07	JsP	EB	RELEASED TO PRODUCTION	02799-02	EB		EB	